



Markem-Imaje commitment: a simple and flexible solution delivering high print quality

The 4020's patented and proven drop-on-demand valvejet technology allows for both impeccable coding and easy integration onto all manufacturing lines. Characterized by its compact size, the 4020 is ideal, from one side to multi-side case coding up to three shifts. Already well-known for its simplicity and flexibility, the 4020, with its new generation 'Ink Efficient Printhead', offers lower ink consumption.

Flexibility across time

- Up to 4 printheads per controller, 7 or 16 nozzle printheads in any combination.
- Print heights from 8 mm to 64 mm.
- Standard Ethernet connection, 2 high speed RS232 communication ports and optional digital I/O box for easy integration.
- CoLOS software solutions ensure product data integrity, central data management and easy connection to existing Enterprise database.



Operation optimization

- Large graphic display with print preview, intuitive interface in local language.
- 4.5 L containers as standard. Large ink containers up to 30 L available for even higher uptime.
- Low ink alert enables operator to anticipate barrel replacement.



High-performance printing

- Constant, excellent print quality at up to 20 mm marking distance.
- Print speeds up to 90 m/min.
- Choice of black and color inks for both porous and non-porous substrates: cardboard, coated cardboard, plastic, glass, metal, PVC, wood, concrete...



Cost reduction

- The new 'Ink Efficient Printhead' with its enhanced drop control optimizes ink consumption.
- The new ink system ensures ink barrel is fully emptied.

 Ink Efficient
Printhead

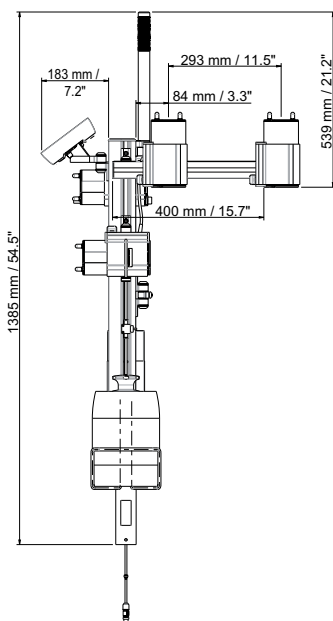


markem·imaje

4020 specifications ■ ■ ■

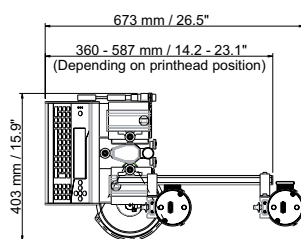
Print features ■ ■ ■

- Up to 4 printheads per controller
- 7-nozzle printhead: 1 line of text
16-nozzle printhead: 1 or 2 lines of text
- Print height: 8 mm to 64 mm
- Prints alphanumeric text including: time, date, 2 expiration dates, shift code, 3 counters (automatic numbering), user prompt, external variables and bitmap files
- Prints more than 22,000 Unicode characters (Arabic, Cyrillic, Chinese, Greek, Hebrew, Kanji, Katakana and Latin)
- Message length up to 5,000 characters
- Character width can be adjusted
- Adjustable print delay for message placement
- Print positioning on cases includes: top, side, opposite side and bottom
- Up to 20 mm throw-distance between printhead and substrate
- Standard or upside down printing, bi-directional printing; both from the right and left
- Print speeds up to 90 m/min



Operations ■ ■ ■

- Single button printer activation and deactivation
- Intuitive operator interface; icons with help text
- Graphic 240 x 64 pixel backlit display
- Interface available in 28 languages: Arabic, Brazilian, Bulgarian, Chinese (simplified), Chinese (traditional), Croatian, Czech, Danish, Dutch, English, Farsi, Finnish, French, German, Greek, Hebrew, Hungarian, Italian, Japanese, Norwegian, Polish, Portuguese, Romanian, Russian, Slovenian, Spanish, Swedish, Turkish
- Storage capacity: up to 800 messages (may vary depending on message size)
- Integrated help file for easy user navigation and operation
- Automatic printhead detection with hot-swap functionality
- Status indicator LEDs
- Availability of inks include: water-based (porous), alcohol-based (semi-porous) and ethyl acetate-based (non-porous)
- Inks are available in black, blue and red
- Pressurized ink system; 4.5 L, 5 L, 18.9 L and 30 L barrels
- 2 RS-232 communication ports, COM1 RJ45 and COM2 9 pin D-sub, up to 115,200 baud
- LAN (Ethernet), RJ45, 10/100 Mbps
- FTP server for easy back-up and file transfer



Other characteristics ■ ■ ■

- Weight:
 - Controller: 1.19 kg
 - 7-nozzle printhead: 0.46 kg
 - 16-nozzle printhead: 0.89 kg
- Support beam with cable slot
- Operating temperature range: 5° to 40°C
- Humidity: 20% to 90%, non-condensing
- Electrical power supply:
 - 1 or 2 head systems: input 100-240 V AC, 50-60 Hz, 1.9 A; output 24 V DC, 3 A
 - 3 or 4 head systems: 100-240 V AC, 50-60 Hz, 3 A; output 24 V DC, 5 A

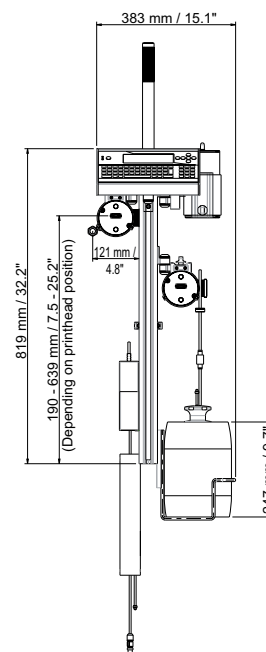
Accessories ■ ■ ■

- Status beacon
- Extension arm for long-reach printhead mounting and top/bottom printing
- Photo sensor (standard or reflective)
- Air pump kit
- Regulator for compressed air
- Pulse encoder

PC software ■ ■ ■

Compatible with:

- CoLOS Create Professional
- CoLOS Enterprise



To learn more, visit www.markem-imaje.com



We reserve the right to amend the design and/or specifications of our products without notice.

9, rue Gaspard Monge
B.P. 110
26501 Bourg-lès-Valence Cedex - France
Tel.: +33 (0) 4 75 75 55 00
Fax: +33 (0) 4 75 82 98 10

150 Congress Street
Keene, NH 03431
United States of America
Tel.: +1 800-258-5356
Fax: +1 603-357-1835



markem·imaje

A DOVER Company